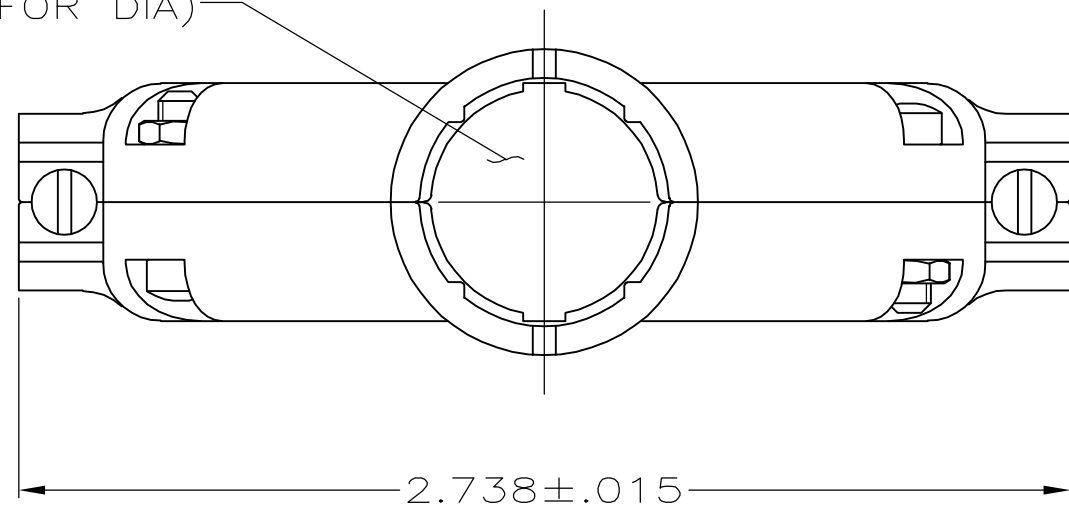


THIS DRAWING IS UNPUBLISHED. RELEASED FOR PUBLICATION
 © COPYRIGHT BY TYCO ELECTRONICS CORPORATION. ALL RIGHTS RESERVED.

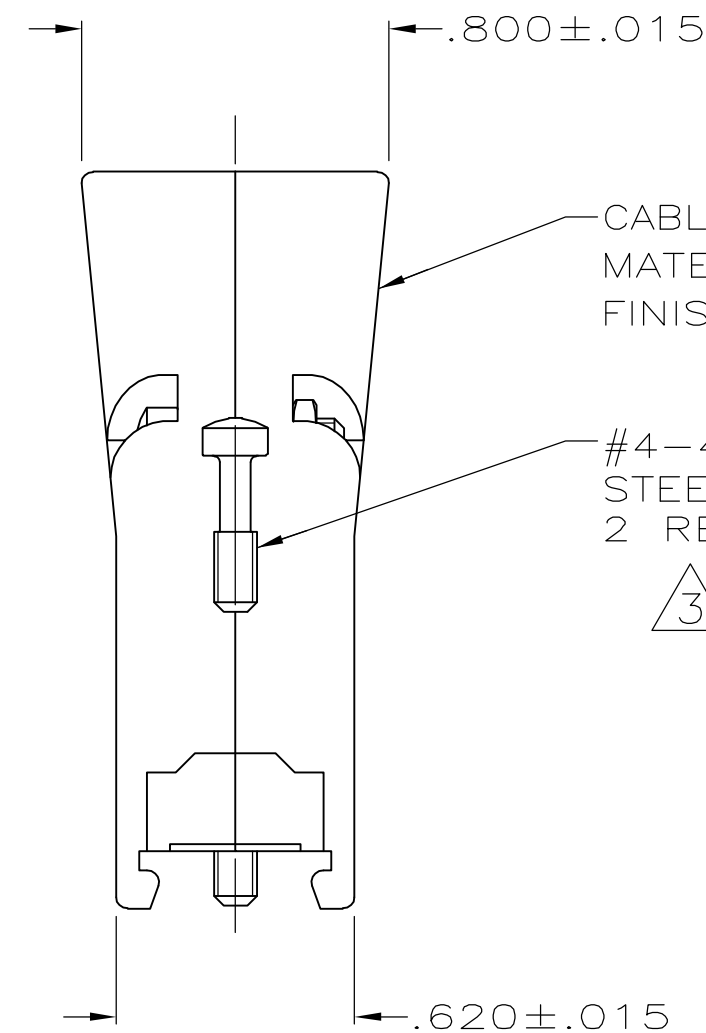
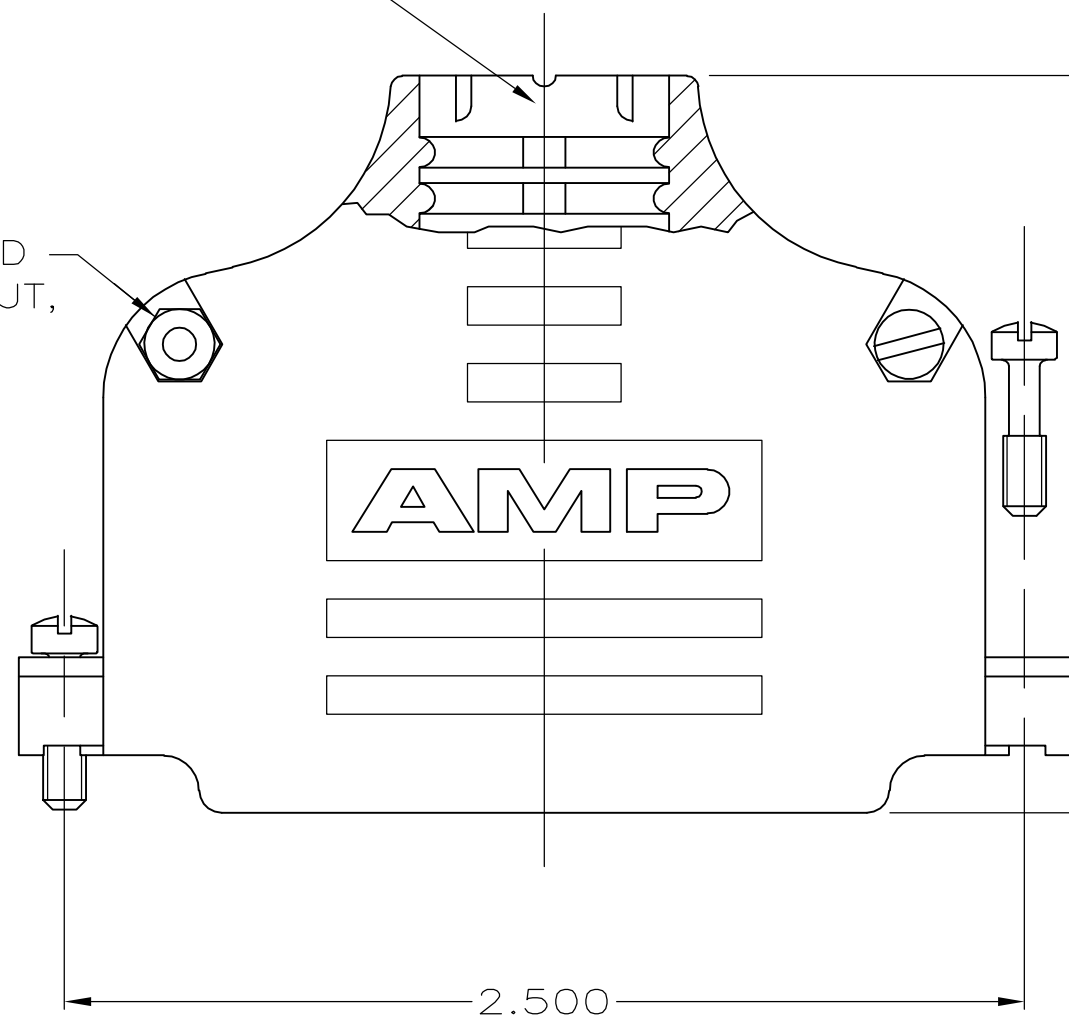
LOC	DIST	REVISIONS					
GP	00	P	LTR	DESCRIPTION	DATE	DWN	APVD
		A		REVISED PER ECN 0513-0326-05	24JUL06	JDP	CWR

OPENING FOR CABLE
(SEE DASH NO FOR DIA)



SIZE IDENTIFICATION
LETTER MOLDED HERE
(SEE TABLE)

#4-40 FILLISTER HEAD
STEEL SCREW & HEX NUT,
2 REQD.



CABLE CLAMP
MATERIAL: FLAME RETARDANT THERMOPLASTIC,
FINISH: BRIGHT NICKEL OVER BRIGHT COPPER

#4-40 FILLISTER HEAD SCREW
STEEL
2 REQD.



- ALL PARTS PACKAGED UNASSEMBLED.
- THIS KIT CONSISTS OF 2 STRAIN RELIEF HALVES,
2 #4-40 SCREWS, 2 #4-40 NUTS & 2 #4-40 MOUNTING SCREWS.

ZINC PLATED .000200-.000400 THICK,
CLEAR CHROMATE COATING.

OBSOLETE	P	.530	1-5747100-1
	F	.350	5747100-9
	J	.425	5747100-7
OBSOLETE	N	.500	5747100-5
	R	.575	5747100-3
	T	.650	5747100-1
	SIZE IDENT LETTER	CABLE DIA	PART NO.

**COPYRIGHT 2005
TYCO ELECTRONICS CORP
ALL RIGHTS RESERVED**

THIS DRAWING IS A CONTROLLED DOCUMENT.		DWN D. HENNY 8-16-05	Tyco Electronics Corporation Harrisburg, PA 17105-3608																			
DIMENSIONS: INCHES		CHK C. ROHDE 8-16-05																				
TOLERANCES UNLESS OTHERWISE SPECIFIED:		APVD M. WALMSLEY 8-16-05	NAME CABLE CLAMP KIT, SIZE 4, 37 POSITION, 180', AMPLIMITE SERIES, PLATED PLASTIC																			
<table border="1"> <tr><td>0 PLC</td><td>±</td><td>-</td></tr> <tr><td>1 PLC</td><td>±</td><td>-</td></tr> <tr><td>2 PLC</td><td>±</td><td>-</td></tr> <tr><td>3 PLC</td><td>±</td><td>.005</td></tr> <tr><td>4 PLC</td><td>±</td><td>-</td></tr> <tr><td>ANGLES</td><td>±</td><td>-</td></tr> </table>		0 PLC	±	-	1 PLC	±	-	2 PLC	±	-	3 PLC	±	.005	4 PLC	±	-	ANGLES	±	-	PRODUCT SPEC -	-	
0 PLC	±	-																				
1 PLC	±	-																				
2 PLC	±	-																				
3 PLC	±	.005																				
4 PLC	±	-																				
ANGLES	±	-																				
MATERIAL SEE CALLOUTS		FINISH SEE CALLOUTS	APPLICATION SPEC -	RESTRICTED TO -																		
CUSTOMER DRAWING		WEIGHT -	SCALE 1:1	SHEET 1 of 1																		
		SIZE A2	CAGE CODE 00779	DRAWING NO 5747100																		
		REV A																				